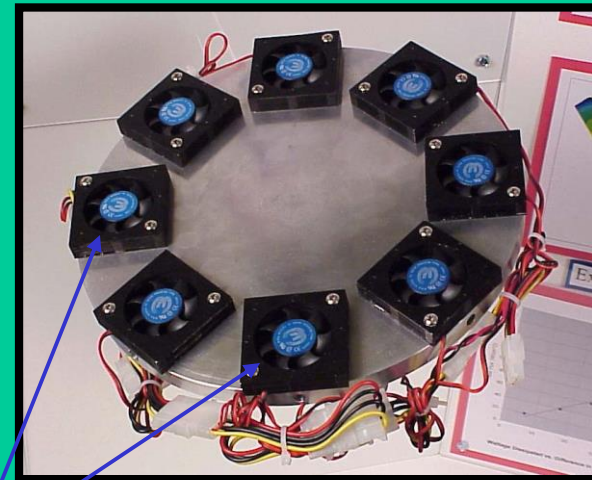
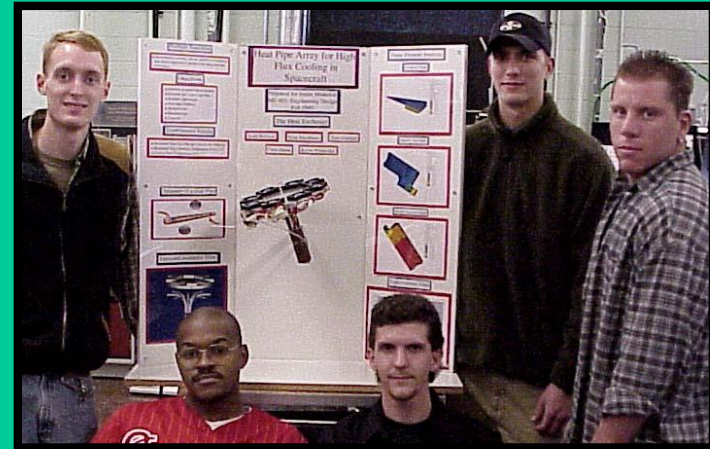
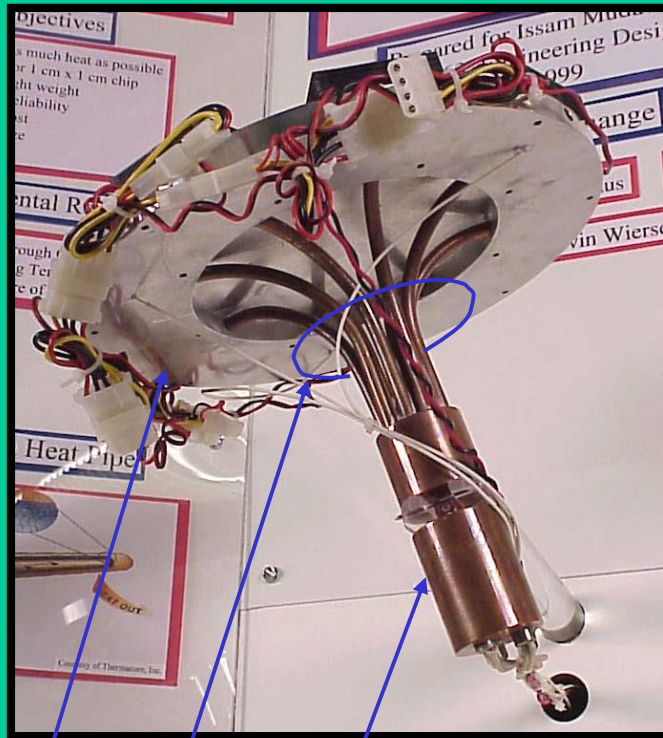


Heat Pipe Bundle

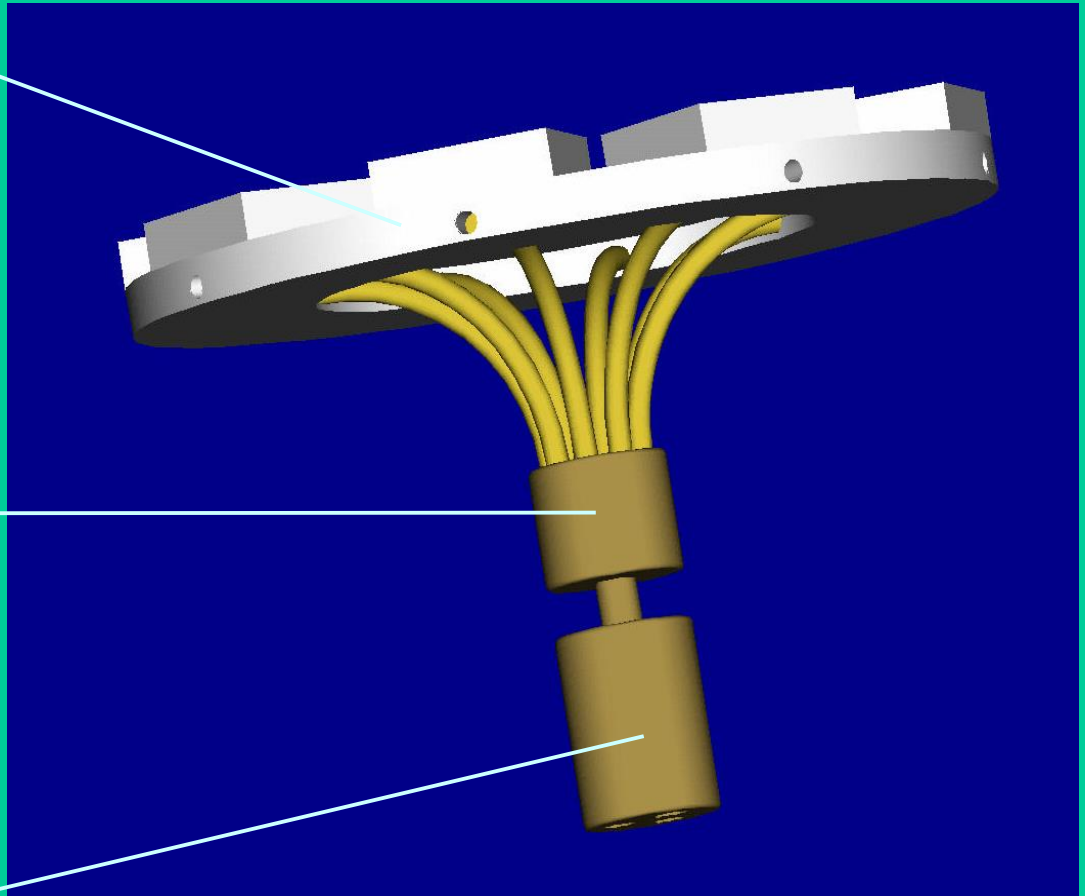
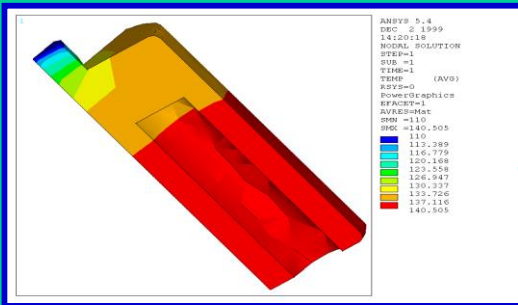
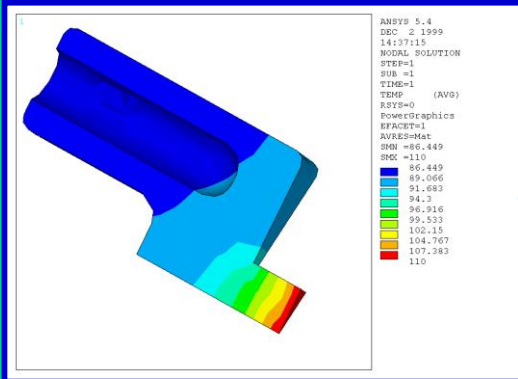
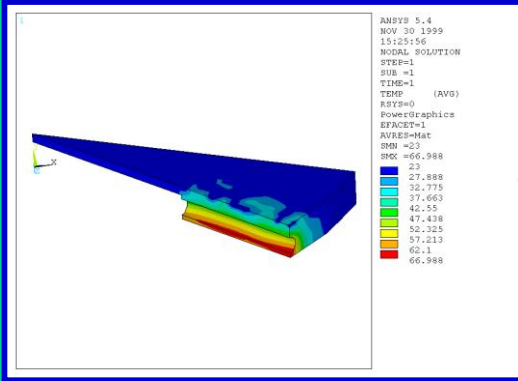
Project: Heat Dissipation from High-Power Device using Heat Pipe Technology

Team: Scott Behrens, Scott Dieckhaus, Tom Gardner, Chris Green, and Kevin Wierschke



Heater
Heat Pipe Bundle
Cold Plate

Fans



Pro-Engineer Model

ANSYS Model